

## TECHNICAL DATA SHEET

**SLMJTS IP67 / Luminaire Sauna T° Resistance 200°C / Xenon Bulb 20'000h** VERSION - 03.05.2018

### STANDARD LUMINAIRE

Reference	SLMJTS
Protection Class	IP67 Tube High Temperature 200°C
Lighting Source	Xenon - <b>3W / 5W max.</b>
Connector	Rigid Loop on B'Light conductor 16mm <sup>2</sup>
Dimensions	69x58mm
Standard Length	140mm - 525mm - 1020mm - 1515mm - 2010mm
Nb Lighting Unit	17 bulbs/m
Voltage	24V
Power	<b>With 3W: 51W/m</b> <b>With 5W: 85W/m</b>
Connecting Cable	One Side: 1m Cable Silicone 180° - 2x2.5mm <sup>2</sup> <i>On request: Cable length on measure</i>
Grid	Transversal Grid: GTSE

### FINISH

Profil - Standard	Natural Anodised Aluminium
<i>On request</i>	<i>Thermo-Enameling</i> <i>Powder Coating RAL</i> <i>Color Anodising</i>
Tube 200°C	Transparent Elastomer Silicone - High dielectric rigidity - Good resistance to chemical product - Excellent resistance to ozone and aging - Temperature resistance: -60°C ~ +200°C

### ON REQUEST

Fixation	EASY-FIX
Connecting Cable	Two Sides: 1m Cable Silicone 180° - 2x2.5mm <sup>2</sup> <i>On request: Cable length on measure</i>
Dimming Option	1-10V, Dali, KNX <i>Ask technical departement for more information</i>

### LIGHTING SOURCE

Lighting Source	<b>Xenon Long Life</b>
Glass	Clear or Frosted
Power	<b>3W or 5W</b>
Voltage	24V
Beam Angle	360°
Lifetime	20'000h

### Color Temperature & Luminous Flux / Unit

<b>Power</b>	<b>3W</b>	<b>5W</b>
<b>CCT</b>	<b>2300K</b>	<b>2400K</b>
<b>Luminous Flux/Unit</b>	<b>12.6 lm</b>	<b>40 lm</b>

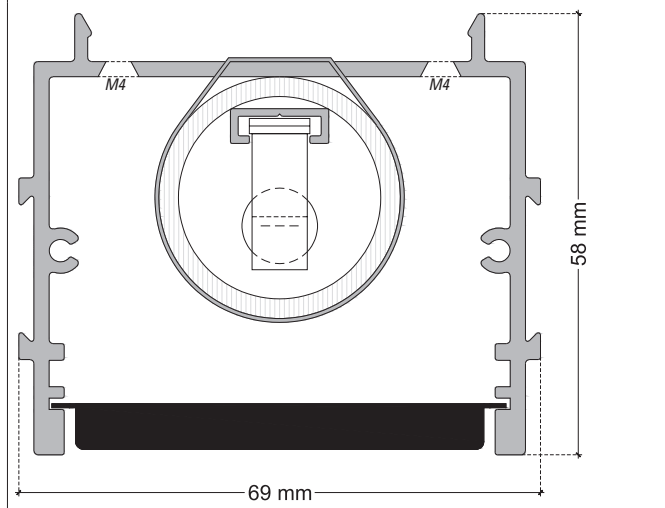
### CERTIFICAT



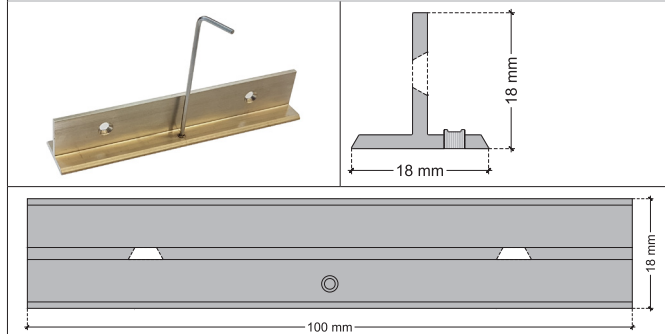
### APPLICATION: SAUNA



### SLMJTS / Xenon 3W/5W max.



### ON REQUEST : Fixation EASY-FIX



### SLMJTS + Fixation EASY-FIX / Xenon 3W/5W max.

